

REV.
B

SAE AS9553

FEDERAL SUPPLY CLASS
5310

RATIONALE

THE FIGURE HAS BEEN REDRAWN TO MAKE READABLE AND BROUGHT UP TO DATE TO SHOW LATEST GEOMETRICAL TOLERANCE THINKING AND CORRECT THREAD CALLOUT, THE TABLE HAS BEEN CORRECTED, A TYPING ERROR ON MS9553-28 DIMENSION AB AND THE NOTES HAVE BEEN BROUGHT UP TO DATE.

NOTICE

THE INITIAL SAE PUBLICATION OF THIS DOCUMENT WAS TAKEN DIRECTLY FROM U.S. MILITARY STANDARD MS9553, NOTICE 1. THIS SAE STANDARD MAY RETAIN THE SAME PART NUMBERS ESTABLISHED BY THE ORIGINAL MILITARY DOCUMENT.

ANY REQUIREMENTS ASSOCIATED WITH QUALIFIED PRODUCTS LISTS (QPL) MAY CONTINUE TO BE MANDATORY FOR DOD CONTRACTS. REQUIREMENTS RELATING TO QPL'S HAVE NOT BEEN ADOPTED BY SAE FOR THIS STANDARD AND ARE NOT PART OF THIS SAE DOCUMENT.

SAE Technical Standards Board Rules provide that: "This report is published by SAE to advance the state of technical and engineering sciences. The use of this report is entirely voluntary, and its applicability and suitability for any particular use, including any patent infringement arising therefrom, is the sole responsibility of the user." SAE reviews each technical report at least every five years at which time it may be revised, reaffirmed, stabilized, or cancelled. SAE invites your written comments and suggestions.

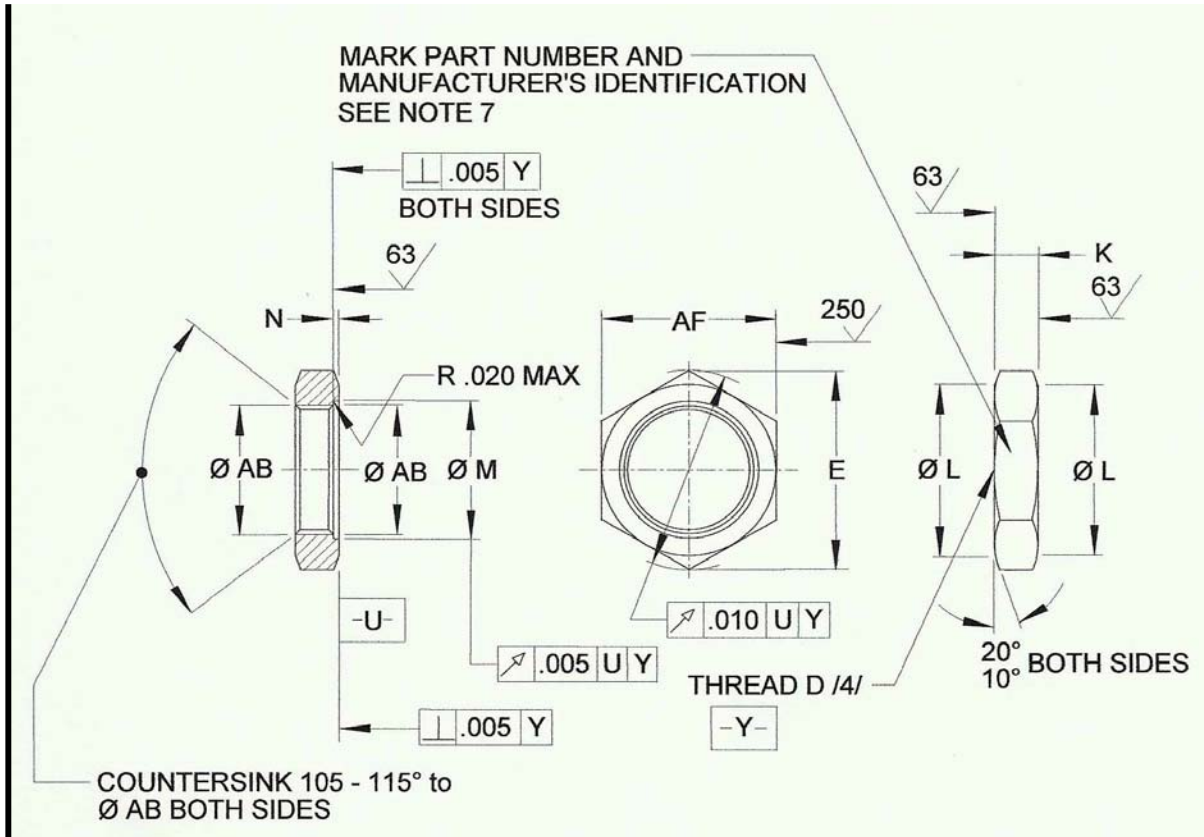
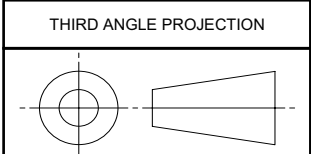


FIGURE 1 - NUT

SAE values your input. To provide feedback on this Technical Report, please visit <http://www.sae.org/technical/standards/AS9553B>



CUSTODIAN: E-25

PROCUREMENT SPECIFICATION: NONE

SAE Aerospace
An SAE International Group

AEROSPACE STANDARD

NUT – HEXAGON, BOSS CONNECTION,
CRES – UNS S30400, 75 ksi

SAE AS9553
SHEET 1 OF 3

REV. B

Copyright 2012 SAE International
All rights reserved. No part of this publication may be reproduced, stored in a retrieval system or transmitted, in any form or by any means, electronic, mechanical, photocopying, recording, or otherwise, without the prior written permission of SAE.

TO PLACE A DOCUMENT ORDER: Tel: 877-606-7323 (inside USA and Canada)
Fax: 724-776-0790

Tel: +1 724-776-4970 (outside USA)
Email: CustomerService@sae.org

SAE WEB ADDRESS: <http://www.sae.org>

ISSUED 1998-10 REAFFIRMED 2007-06 REVISED 2012-07